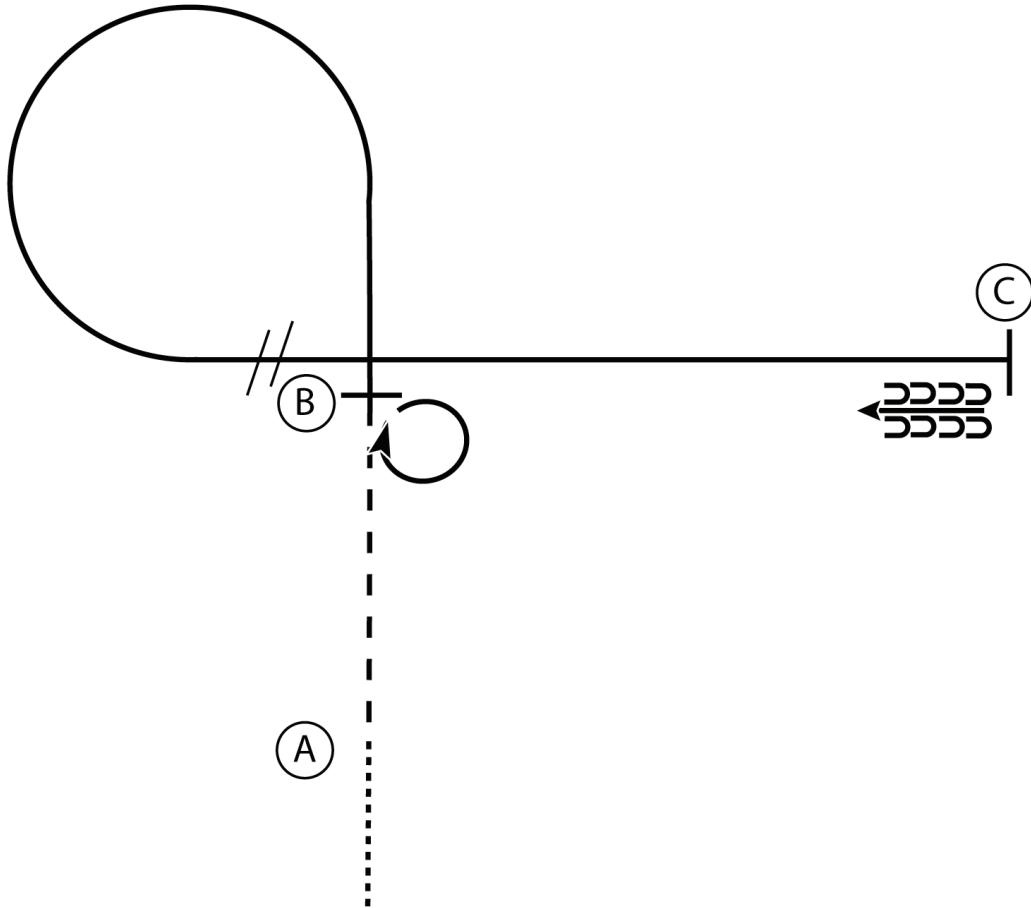


LT Classic

Western Horsemanship (ApHC Non Pro)

Show Date: 05-26-29.2022



1. Walk to A
2. At A jog to B
3. Stop at B and perform a 360 degree turn to the right
4. Lope a circle to the left
5. At B perform a lead change and continue to C
6. At C stop and back 5 steps

Walk
Jog	-----
Extended Jog	-----
Lope	—————
Leg Yield	
Lead Change	↖ ↗
Back	←←←←←
Marker	Ⓚ
Sidepass	←---←

[WH/2-10]

Pattern Provided by: